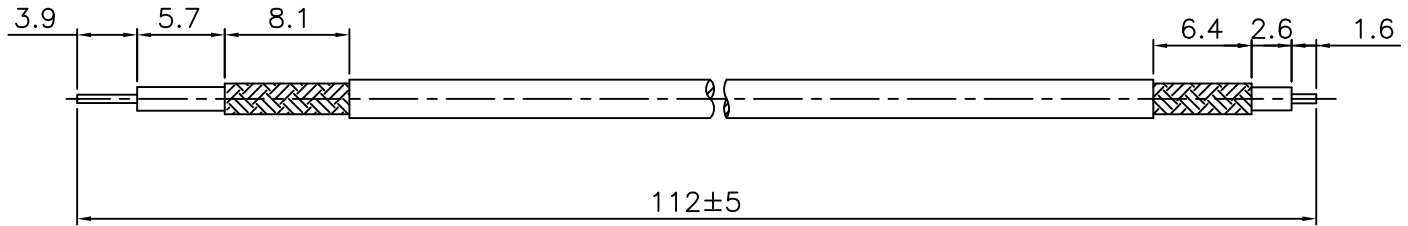
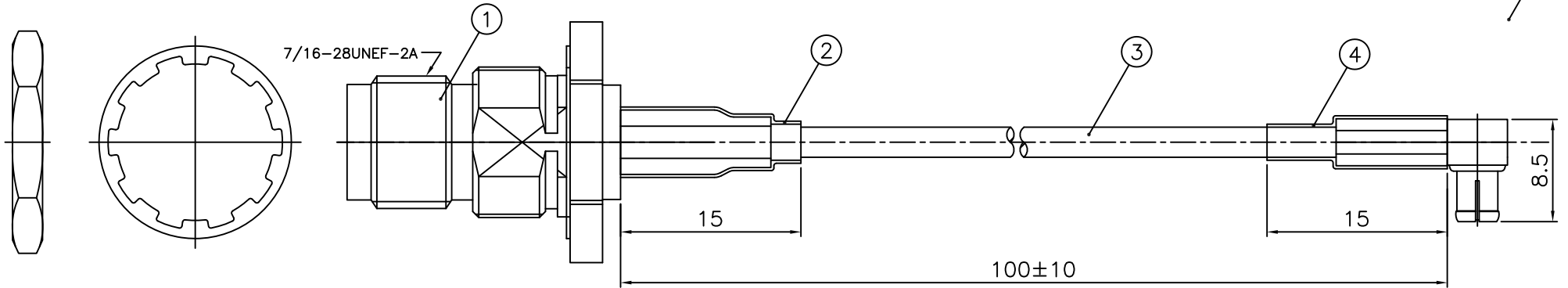


1			2			3			4			5			6			7			8		
REVISIONS																							
ISS	ZONE	DESCRIPTION\PER REQUEST\DATE																					



RECOMMENDED
CABLE STRIPPING DIM'S
(建議剝線尺寸)



5	CONNECTOR	BRASS	GOLD	1	031112AA36015F	DIMENSIONS ARE IN MILLIMETERS UNLESS OTHERWISE SPECIFIED TOLERANCES ANGLES = ±3' UP TO 6 = ±0.1 6-40 = ±0.2 40-120 = ±0.6 120-315 = ±1 ABOVE 315 = ±1.6	APPROVED	DATE	TITLE			
4	HEAT SHRINK TUBING (ø4)		BLACK	1	203-3204-00000 L=15			11-02-05'				
3	RG-174/U		BLACK	1	813-1101-17402		CHECKED	DATE	DRAWING NO. CAB02F03M001F		REV	0
2	HEAT SHRINK TUBING (ø6)		BLACK	1	203-0406-00000 L=15			11-02-05'	CUSTOMER NO.		REV	
1	CONNECTOR	BRASS	NICKEL	1	026111AA36015F		CUSTOMER CODE	DATE	FILE NO. N:\CAD\CAB\01F\10M\001F-0		REV	
NO.	DESCRIPTION	MATERIAL	FINISH	Q'TY	DRAWING NO.	SCALE	2/1			REV		