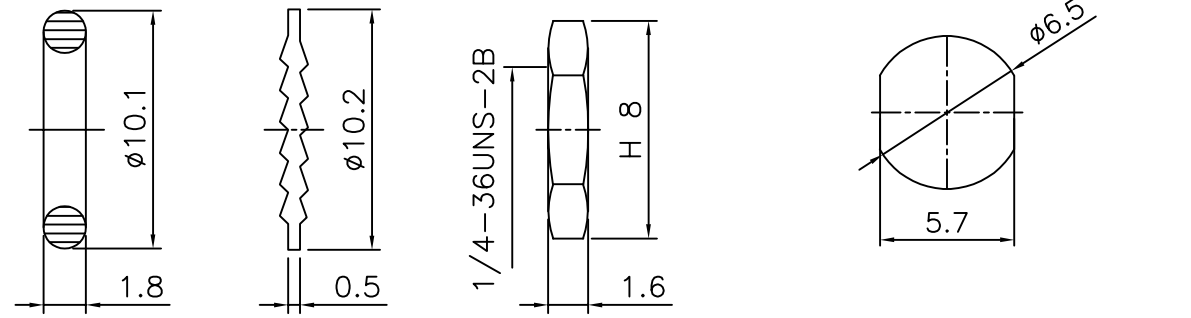
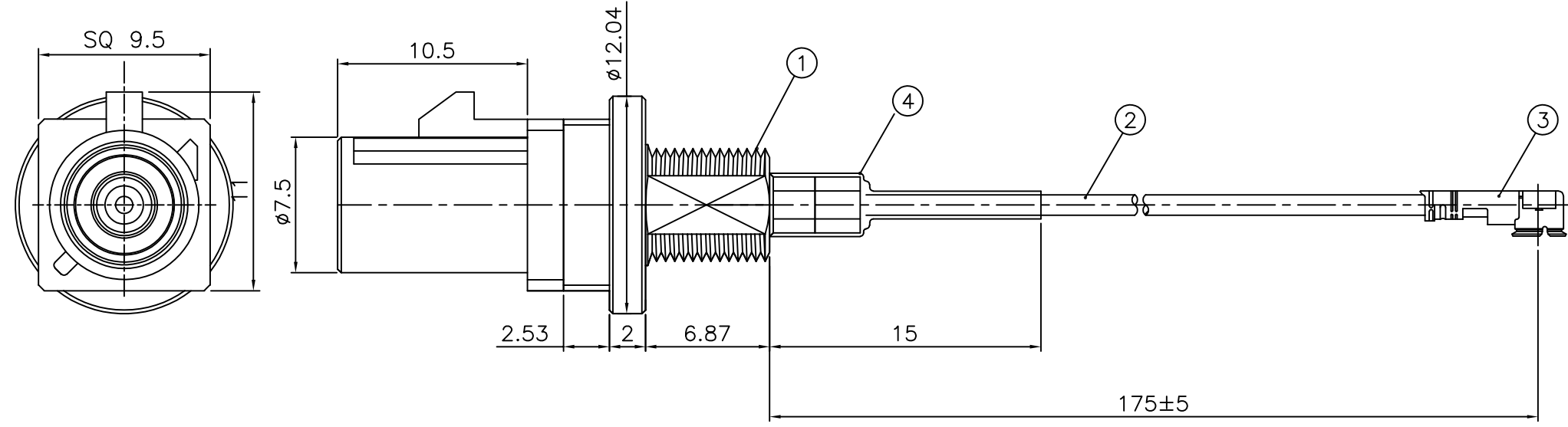


REVISIONS		
ISS	ZONE	DESCRIPTION\PER REQUEST\DATE

NOTE:  
 ELECTRICAL:  
 IMPEDANCE:50 ohm  
 FREQUENCY RANGE: DC TO 6GHZ  
 TEMPERATURE RANGE:-40°C TO +90°C  
 WITHSTANDING VOLTAGE: AC 200V/DC 100V  
 INSULATION RESISTANCE:100MOHM MIN  
 CONDUCTION IMPEDANCE:2Ω



RECOMMEND PANEL HOLE



百展科技有限公司			
TITLE CABLE ASS'Y(FAKRA STR PLUG-I WITH I-PEX1.37 CABLE)			
DRAWING NO.	CAB27MPXM13725F	REV	0
CUSTOMER NO.		REV	

DIMENSIONS ARE IN MILLIMETERS	
UNLESS OTHERWISE SPECIFIED TOLERANCES	
ANGLES =	±3°
UP TO 6 =	±0.12
6-40 =	±0.2
40-120 =	±0.6
120-315 =	±1
ABOVE 315 =	±1.6
CUSTOMER CODE	306
SCALE	3/1

APPROVED	<i>Bob</i>	DATE	11-01-11'
CHECKED	<i>Annie</i>	DATE	11-01-11'
DRAWN	<i>Annie</i>	DATE	11-01-11'

7	GASKET	SILICONE	RED	1	
6	HEX. NUT	BRASS	NICKEL	1	
5	LOCK WASHER	BRASS	NICKEL	1	
4	HEAT SHRINK TUBING (φ2.5)		BLACK	1	HT00AAA001F L=15
3	I-PEX	20278-112R-13		1	CAB000PXM0137F
2	1.37 CABLE		BLACK	1	
1	CONNECTOR	BRASS	NICKEL	1	271111A113725F
NO.	DESCRIPTION	MATERIAL	FINISH	Q'TY	DRAWING NO.