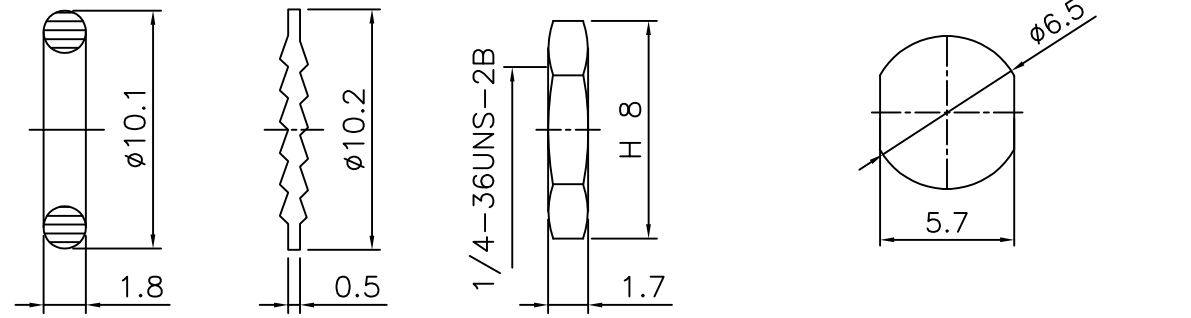
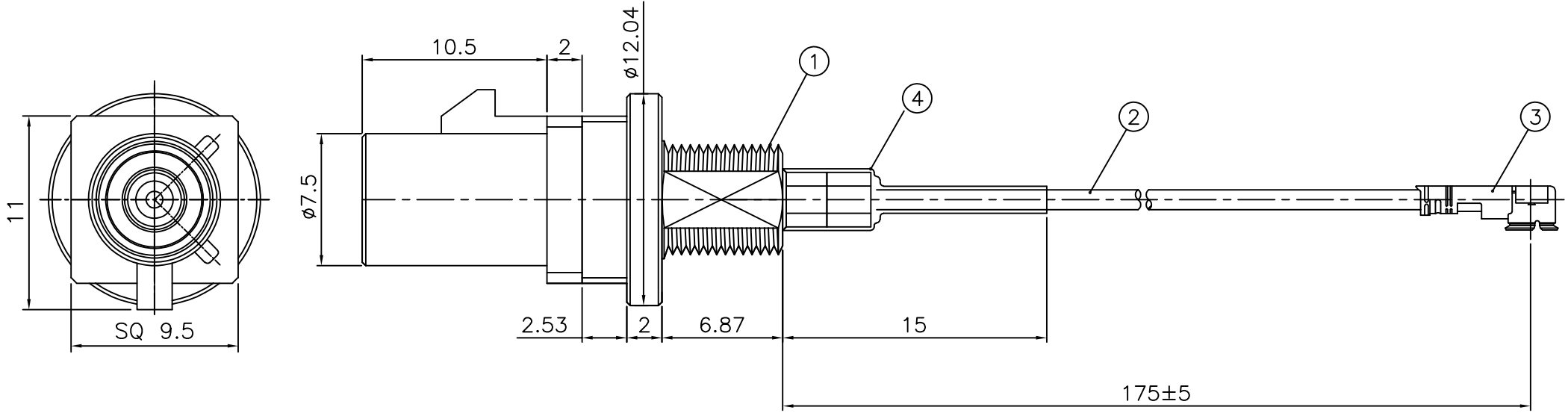


REVISIONS		
ISS	ZONE	DESCRIPTION\PER REQUEST\DATE

NOTE:
 ELECTRICAL:
 IMPEDANCE:50 ohm
 FREQUENCY RANGE: DC TO 6GHZ
 TEMPERATURE RANGE:-40°C TO +90°C
 WITHSTANDING VOLTAGE: AC 200V/DC 100V
 INSULATION RESISTANCE:100MOHM MIN
 CONDUCTION IMPEDANCE:2Ω



RECOMMEND PANEL HOLE



百展科技有限公司			
TITLE CABLE ASS'Y(FAKRA STR PLUG-D WITH I-PEX1.37 CABLE)			
DRAWING NO.	CAB27MPXM13715F	REV	0
CUSTOMER NO.		REV	

DIMENSIONS ARE IN MILLIMETERS	
UNLESS OTHERWISE SPECIFIED TOLERANCES	
ANGLES	= ±3°
UP TO 6	= ±0.12
6-40	= ±0.2
40-120	= ±0.6
120-315	= ±1
ABOVE 315	= ±1.6
CUSTOMER CODE	306
SCALE	3/1

APPROVED	<i>Bob</i>	DATE	11-01-11'
CHECKED	<i>Annie</i>	DATE	11-01-11'
DRAWN	<i>Annie</i>	DATE	11-01-11'

NO.	DESCRIPTION	MATERIAL	FINISH	Q'TY	DRAWING NO.
7	GASKET	SILICONE	RED	1	
6	HEX. NUT	BRASS	NICKEL	1	
5	LOCK WASHER	BRASS	NICKEL	1	
4	HEAT SHRINK TUBING (φ2.5)		BLACK	1	HT00AAA001F L=15
3	I-PEX	20632-001R-37		1	CAB000PXM0137F
2	1.37 CABLE		BLACK	1	
1	CONNECTOR	BRASS	NICKEL	1	271111AD13715F(VIOLET)