

OUTSIDE UHF BASE ANTENNA

MODEL: MUA-100C



SPECIFICATION

一. **ELECTRONICAL:**

1. **ANTENNA TYPE** 天線型式: Base Antenna
2. **FREQUENCY** 頻率: 380~410MHz
3. **IMPEDANCE** 阻抗: 50 Ohm
4. **POLARISATION** 極: Verticle
5. **SWR**: 1.5:1
6. **MAX.POWER** 最大功率: 100W
7. **Rated wind velocity** 耐風速: 60m/s

二. MECHANICAL:

1. MATERIALS 材質: Fiber

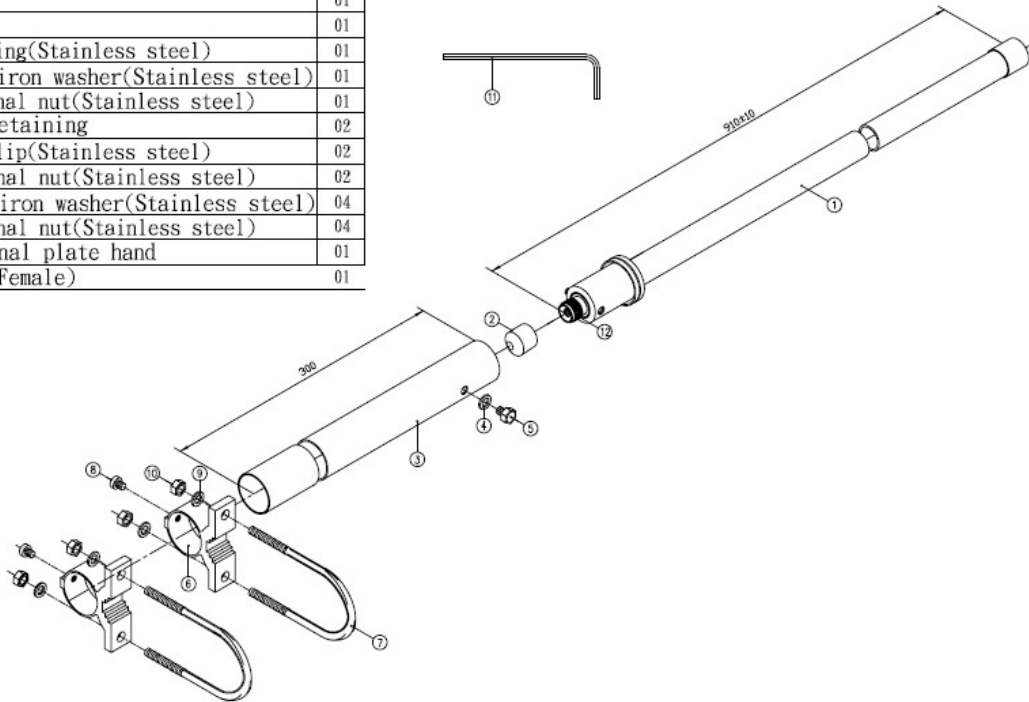
2. COLOR 顏色: White


3. TOTAL HEIGHT 總長度: 910m/m ± 10

4. WEIGHT 重量: 1Kg

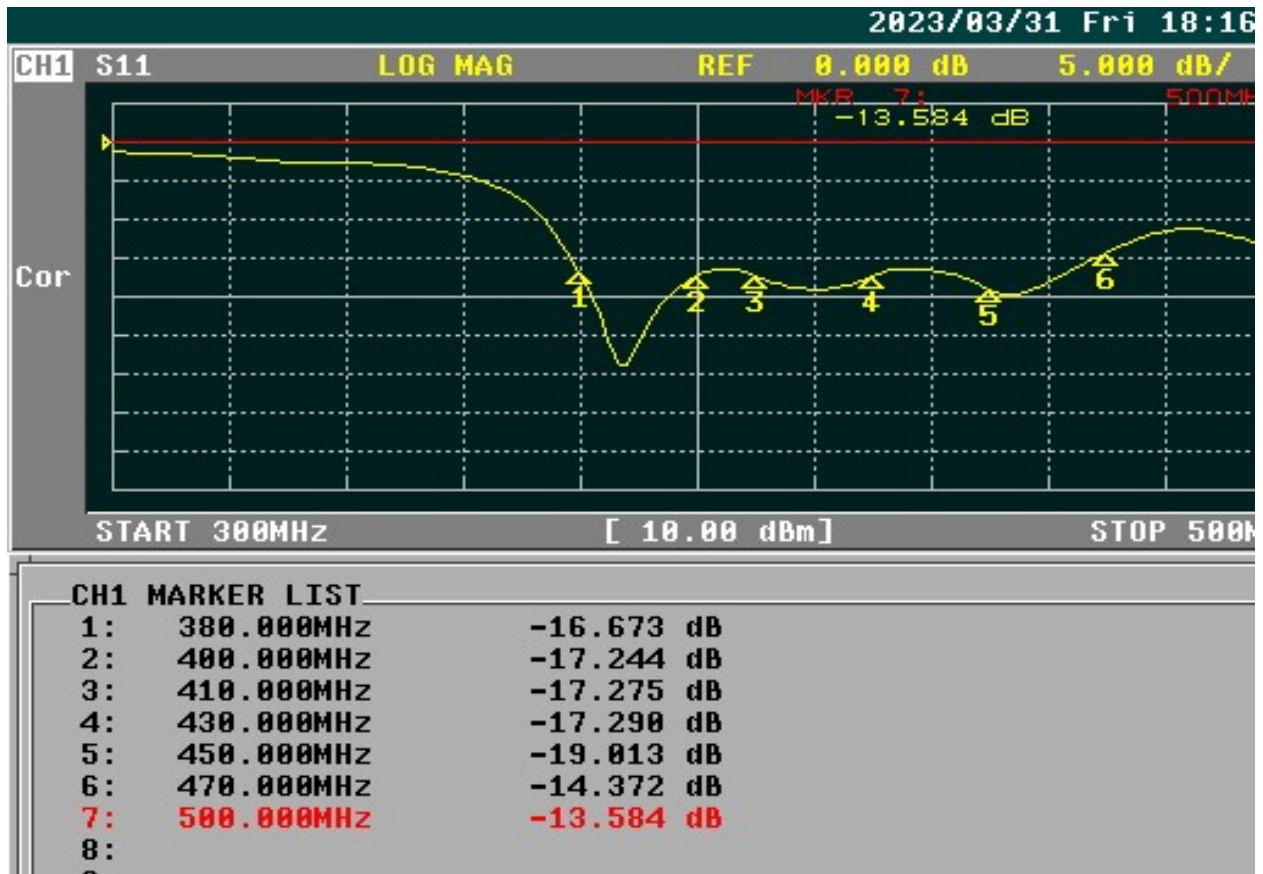
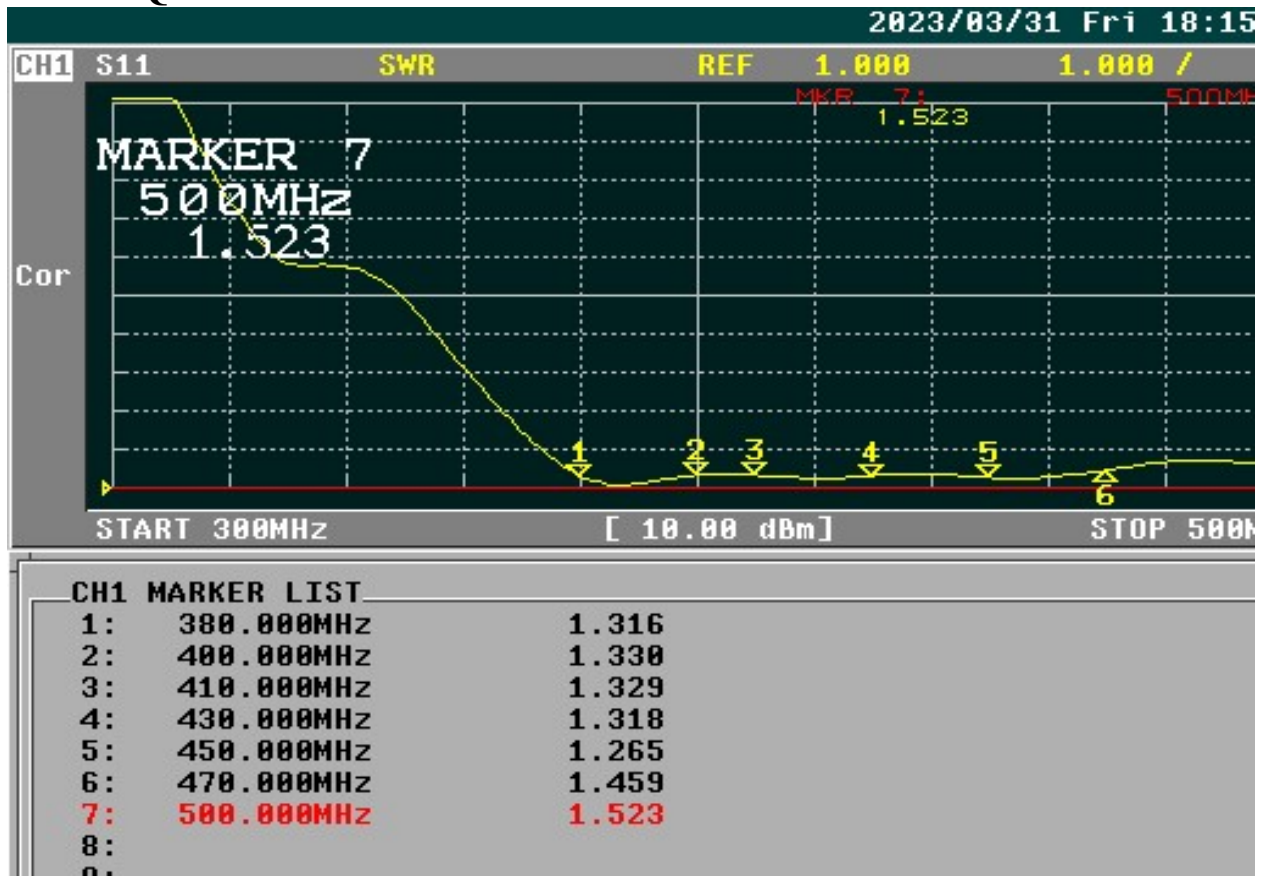
1. APPEARANCE:

| NO. | NAME | Q. TY |
|-----|------------------------------------|-------|
| 01 | Body | 01 |
| 02 | Cap | 01 |
| 03 | Stay ring(Stainless steel) | 01 |
| 04 | Round iron washer(Stainless steel) | 01 |
| 05 | Hexagonal nut(Stainless steel) | 01 |
| 06 | Clip retaining | 02 |
| 07 | U-Circlip(Stainless steel) | 02 |
| 08 | Hexagonal nut(Stainless steel) | 02 |
| 09 | Round iron washer(Stainless steel) | 04 |
| 10 | Hexagonal nut(Stainless steel) | 04 |
| 11 | Hexagonal plate hand | 01 |
| 12 | N (Female) | 01 |



| | | | | | | | | |
|---|-------------------|-------------|--------------|--------------|----------|---------|---------|----------|
|  Third angle projection | CUSTOMER'S | MODEL | PARTS NUMBER | FREQUENCY | UNIT | SCALE | DATE | VERSION |
| | | MUA-100C | | 380~410Mhz | M/M | | | 1 |
| | TOLERANCE | X. XX±0. 15 | NAME | PARTS NUMBER | APPROVED | CHECKED | DRAWING | DESIGNED |
| | SURFACE ROUGHNESS | \sqrt{S} | APPEARANCE | | | | | |

2. FREQUENCY:



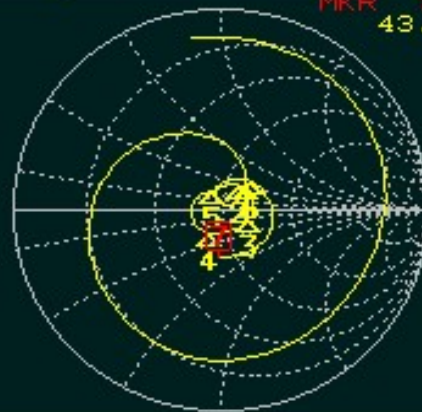
CH1 S11

SMITH(R+jX)

FS 1.000

MKR 7: 500MHz
43.974 Ω -21.629 Ω

Cor



START 300MHz

[10.00 dBm]

STOP 500MHz

CH1 MARKER LIST

| | | | | |
|----|------------|-----------------|------------------|----------|
| 1: | 380.000MHz | 60.841 Ω | 14.910 Ω | 6.245nH |
| 2: | 400.000MHz | 57.455 Ω | 14.274 Ω | 5.679nH |
| 3: | 410.000MHz | 64.990 Ω | -6.617 Ω | 58.659pF |
| 4: | 430.000MHz | 43.697 Ω | -10.280 Ω | 36.002pF |
| 5: | 450.000MHz | 44.871 Ω | 8.117 Ω | 2.870nH |
| 6: | 470.000MHz | 63.440 Ω | 18.360 Ω | 6.217nH |
| 7: | 500.000MHz | 43.998 Ω | -21.609 Ω | 14.730pF |
| 8: | | | | |
| 9: | | | | |