

VHF ANTENNA

MODEL: MA-100



1. GENERAL DESCRIPTION

Model No	P/N
MA-100	MA-100-5M-PL259(M)

Below is a table summarizing the antenna design specification.

1.1 Electrical Properties

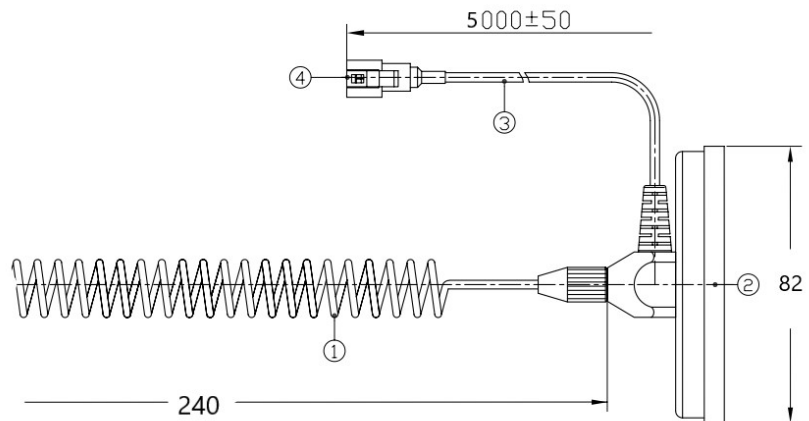
Parameter	Description
Frequency Band	118-136Mhz
Nominal Impedance	50 ohm
Polarization	Vertical
Electrical Wave	1 / 2 λ
Return Loss	Please See Data-1
V.S.W.R	3.0 : 1 (ON GND)

1.2 Mechanical Properties

Parameter	Description
Antenna Type	External Antenna
Touch Type	Magnetic

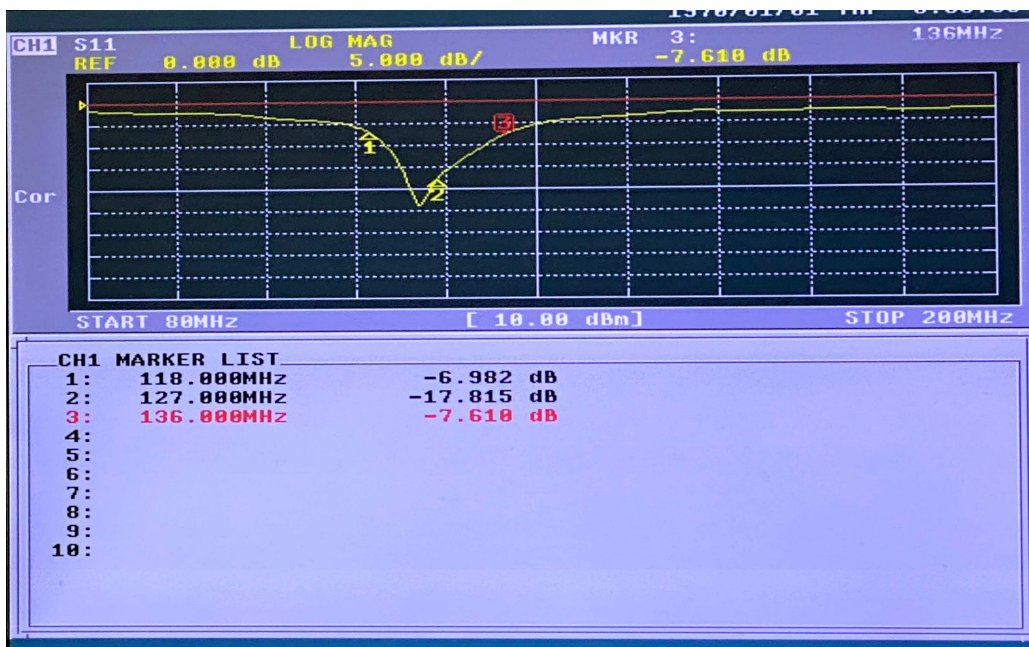
Cable type	RG58-5000 ± 50
Connector Type	PL259(Male)
Antenna Dimensions	82mm(Dia) X 240 mm
Antenna Color	Black
Operating Temperature Range	-30°C~+70°C
Storage Temperature Range	-30°C~+70°C

NO.	NAME	FINISH	Q.	TY
01	Whip	Black	01	
02	Base	Black	01	
03	RG-58 A/U Cable	Black	01	
04	PL259(M)	Ni	01	



 Third angle projection	CUSTOMER'S	MODEL	PARTS NUMBER	FREQUENCY	UNIT	SCALE	DATE	VERSION
	TOLERANCE	X. XX±0.15	NAME	PARTS NUMBER	APPROVED	CHECKED	DRAWING	DESIGNED
	SURFACE ROUGHNESS		APPEARANCE					

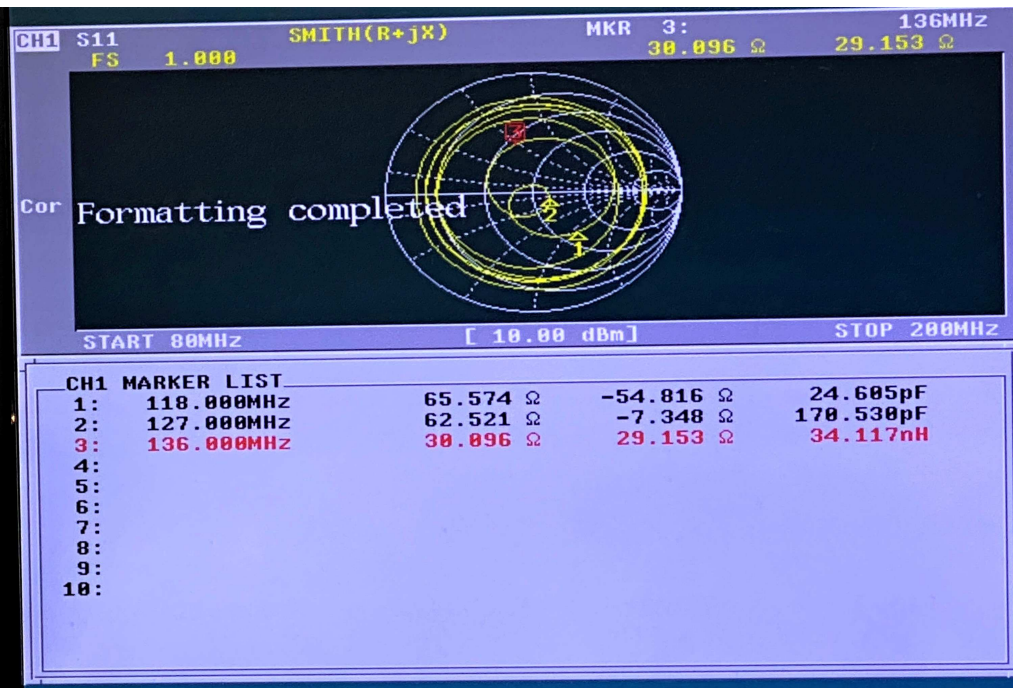




- LOG MAG
- PHASE
- DELAY
- SMITH (R+jX)
- SMITH (G+jB)
- POLAR
- LIN MAG
- More 1/2



- SWR
- REAL
- IMAG
- PHASE -∞, +∞
- LOG MAG & PHASE
- LOG MAG & DELAY
- LIN MAG & PHASE
- More 2/2



- SAVE REGISTER
- CLEAR REGISTER
- STORE FILE
- PURGE FILE
- FORMAT DISK