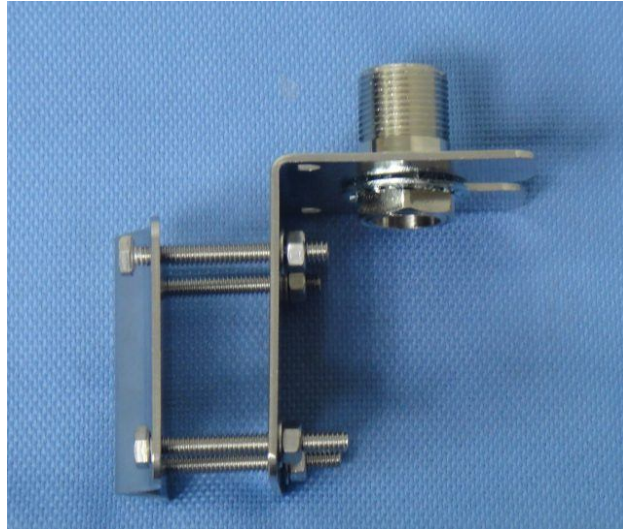


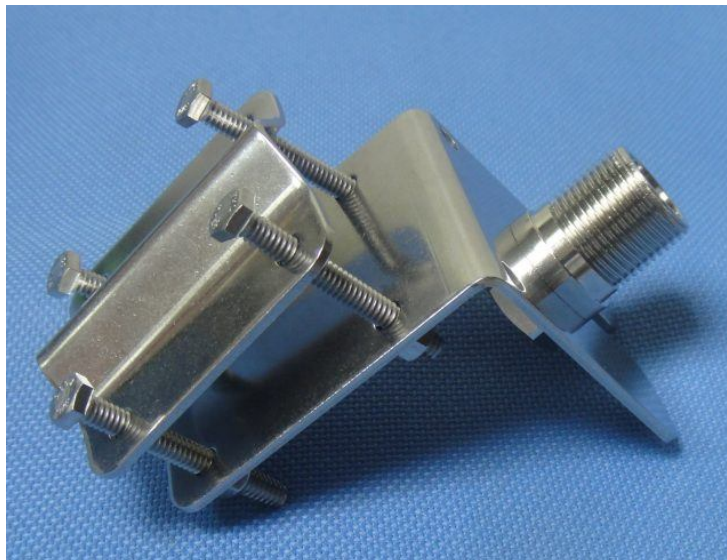
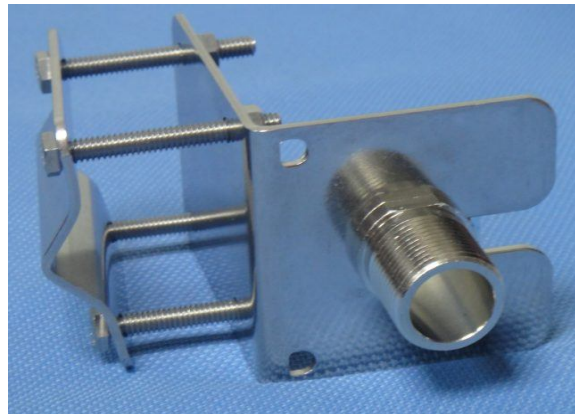
# Marine Antenna Base mounting

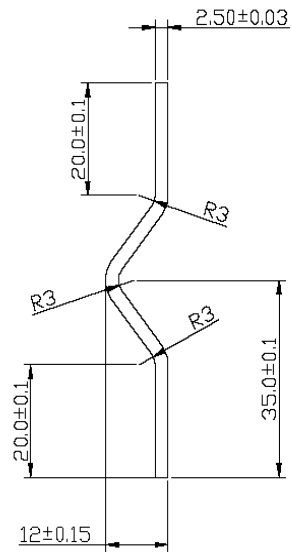
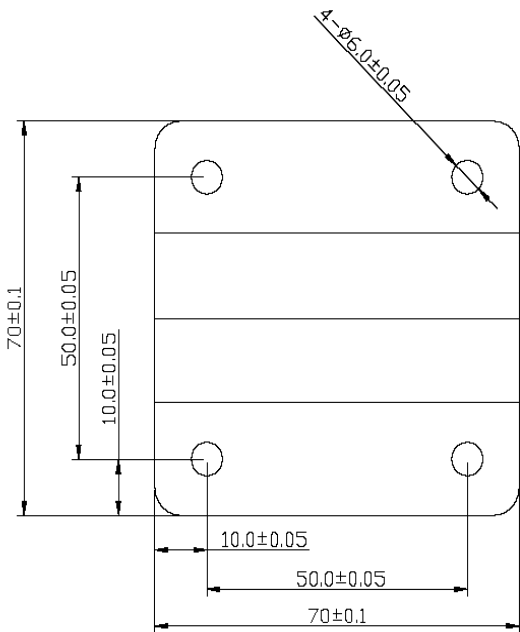
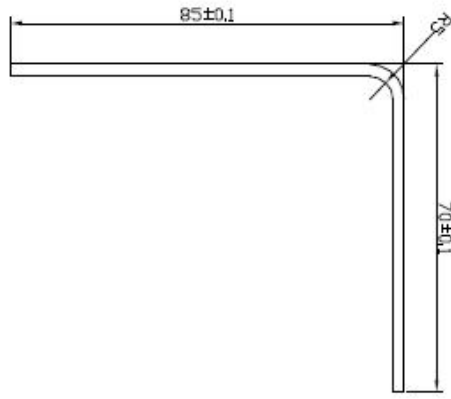
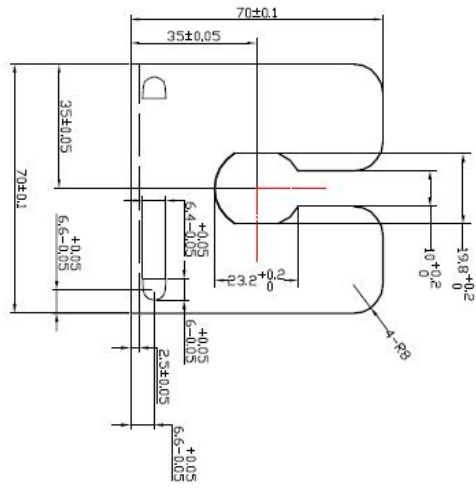
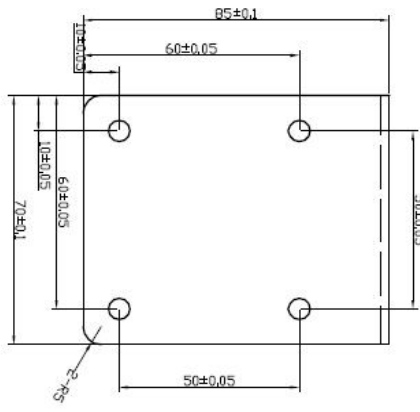
**MODEL: FB-3A**



**1"-14 UNS threaded mast SUS304/C3604**

**Locks on the truck rear-view mirror or on iron stand or flagpole**

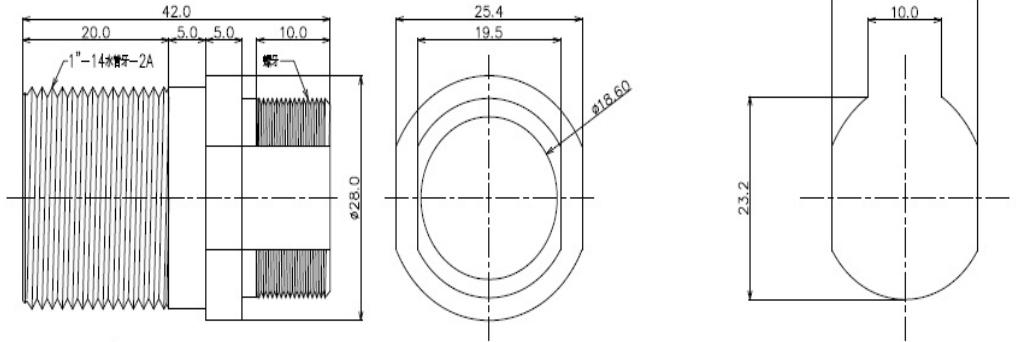




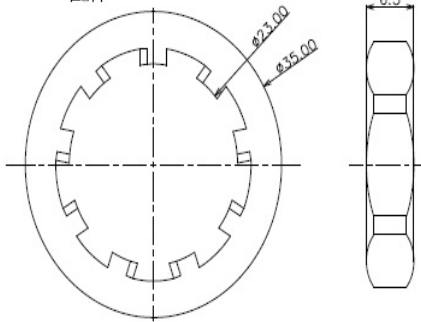
1 | 2 | 3 | 4

REV.	DESCRIPTION	DRAWN/DATE	CHECK/DATE	APPROVED/DATE

A | | | | A



配件



TOOTH WASHER

NUT

C | | | | C

D | | | | D



THIS DRAWING IS A CONTROLLED DOCUMENT		DRAWN	DATE	TITLE	
GENERAL TOLERANCE: X ±0.30 Y ±0.25 Z ±0.15 XXX ±0.05		JEN	09/13/2011	Antenna Jack L=42	
ANGLE TOLERANCE: X ±3.0° Y ±2.0° Z ±1.0°		CHECKED	DATE	PART NO.	
UNLESS OTHERWISE SPECIFIED: 1. REMOVE ALL BURRS 2. BREAK ALL SHARP EDGES 0.2 MAX. 3. CHAMFER 1ST LAST THREDS 45° 4. MACHINE SURFACE ROUGHNESS 5. DIMENSIONS IN CIRCLES REFER TO BE CURRENT WITHIN TOLERANCE 6. ALL DIMENSIONS ARE AFTER PLATING		APPROVED	DATE	A3 V0210-5YBBBC0	
MATERIAL	FINISH	UNIT	mm [INCHES]	SIZE	REV.
SEE BOM	SEE BOM	mm [INCHES]	mm [INCHES]	A3	A
RFQ NO:1000914			SHEET 1 OF 1 SCALE 10:1 FILE: NOV0210-5YBBBC0-A		

ITEM	ITEM NAME	MATERIAL	FINISH	QTY/EA	REMARK
3	NUT	BRASS	Cr.	1	
2	TOOTH WASHER	BRASS	Cr.	1	
1	JACK BODY	BRASS	Cr.	1	

1 | 2 | 3 | 4